



Cf2 MONTANA

COAL EFFECT GAS FIRE

Installation, maintenance & user instructions

Hand these instructions to the user

Natural gas (G20) at a supply pressure of 20mbar in G.B./ I.E

Contents		
Section 1	information and requirements	page
1.0	appliance information	3
1.1	conditions of installation	4
1.2	flue and chimney suitability	4
1.3	fireplace / surround suitability	5
1.4	shelf position	5
1.5	chimney inspection	5-6
1.6	fireplace opening /catchment space	6
1.7	fitting to metal flue boxes	7
1.8	hearths	7
1.9	spillage monitoring system	8
2.0	remove glass and fire tray	8
Section 2	installing the fire	
2.1	installing the fire box	9
2.2	Gas supply	9
2.3	secure to fireplace	9-10
2.4	gas tightness and inlet pressure	10
	Fitting fuel bed and commissioning	
3.1	assembling the fuel bed	11-12
3.2	checking for spillage	13
	Maintenance	
4.1	servicing	14-15
4.2	cleaning	15
4.3	installer spare parts	15
4.4	troubleshooting pilot problems	15
	Users instructions	
5.1	installation information	16
5.2	manual users	18
5.3	mertik remote control	19
5.4	bray/sit remote control	21
5.5	assembling the fuel bed	22
5.6	cleaning glass	23
5.7	troubleshooting help	24

Section 1
Information and requirements

1.0 appliance information

Model cf2 montana HE

Gas type G20 natural gas

Injector 340

Pilot type: S I T

Max gross heat input : 5.2 kW

Min gross heat input : 2.6 kW

Cold pressure: 20.0 +/- 1.0 mbar

Gas : G20 natural gas / cat I2H

Firebox dimensions (including trim)

Width

Height

Depth

Gas connection : 8mm compression at test elbow on fire supplied

This appliance is manufactured by:

crystal fires limited aintree racecourse business park aintree I9 5ay

Installation requirements

1.1 conditions of installation

It is the law that all gas appliances are installed only by a competent person
le:a registered installer in accordance with the current edition of the gas safety (installation and use) regulations or the rules in force.failure to do so could lead to prosecution
The installer must be gas safe registered .

The installation must also be in accordance with all relevant parts of the local and national building regulations where appropriate,the building regulations (scotland consolidation) issued by the scottish development department,and all applicable requirements of the following british standard codes of practice.

1. Bs 5871 part 2 installation of inset fuel effect fires
2. Bs 6891 installation of gas pipework
3. Bs 5440 parts 1 & 2 installation of flues and ventilation
4. Bs 1251 open fire place components
5. Bs 715 / BS EN 1856-2 metal flue pipes for gas appliances
6. Bs 8303 installation of domestic heating appliances
7. Is 813 domestic gas installation (republic of ireland)

No purpose made additional ventilation is normally required for this appliance ,when installed in G.B.when installing in I.E.please consult document I.s 813 domestic gas installation,which is issued by the national standards authority of ireland.if installing in northern ireland please consult local building regulations In scotland ,please consult the current edition of the building standards regulations,issued by the scottish executive.any purpose made ventilation must be checked periodically to ensure that it is free from obstruction.

1.2 Flue & chimney suitability

This appliance is designed for use with conventional brick built or lined chimneys and and fabricated flues and metal flue boxes conforming to BS 715 /BS EN 1856-2
All flues must conform to the following minimum dimensions

Minimum dimension of circular flues 125 mm

Minimum effective height of all flue types 3 meters

This product is not suitable for pre cast flues

1.3 Fireplace / surround suitability

The fire must only be installed on a hearth it must not be installed directly on to a carpet or other combustible floor materials.

(this appliance may be installed without a hearth when fitted as a hole in the wall and is fitted so the bottom of the appliance is installed a minimum of 300mm from floor level)

This fire is suitable for fitting to a non combustible fire place surrounds and proprietary fireplace surrounds with a temperature rating of at least 150° C (class "o")

If this appliance is fitted directly against a wall without the use of a fire surround or fireplace all combustible materials must be removed from behind the trim .soft wall coverings such as blown vinyl ,wall paper etc, could be affected by the rising hot air scorching and /or discoloration may result ,due consideration should be made to this when installing or decorating.

1.4 Shelf position

The fire may be fitted below a combustible shelf providing there is a minimum distance of 200mm above the top of the fire and the shelf does not project more than 150mm.if the shelf overhangs more than 150mm the distance between the fire and the shelf must be increased by 15mm for every 25mm of additional overhang over 150mm

1.5 Flue / Chimney inspection

Before commencing installation ,a flue or chimney should be inspected to ensure that all of the following conditions are satisfied.

1.check that the chimney / flue only serves one fireplace and is clear of any obstruction .any dampers or register plates must be removed or securely locked in the open position

2.brick/stone built chimneys or any chimney or flue which has been used for an appliance burning fuel other than gas must be thoroughly swept .the base of the chimney /flue must also be cleared of debris etc

3.any under floor air supply to the fireplace must be completely sealed off

4.ensure that the inside of the chimney / flue is in good condition along its length and check that there is no leakage of smoke through the structure of the chimney / flue during and after the smoke pellet test

5.using a smoke pellet check there is an updraft in the chimney / flue and that the smoke can be seen coming from the terminal/ pot outside

There must be no leakage of smoke through the structure of the chimney during or after the smoke pellet test and it is important to check the inside upstairs rooms adjacent to the chimney / flue

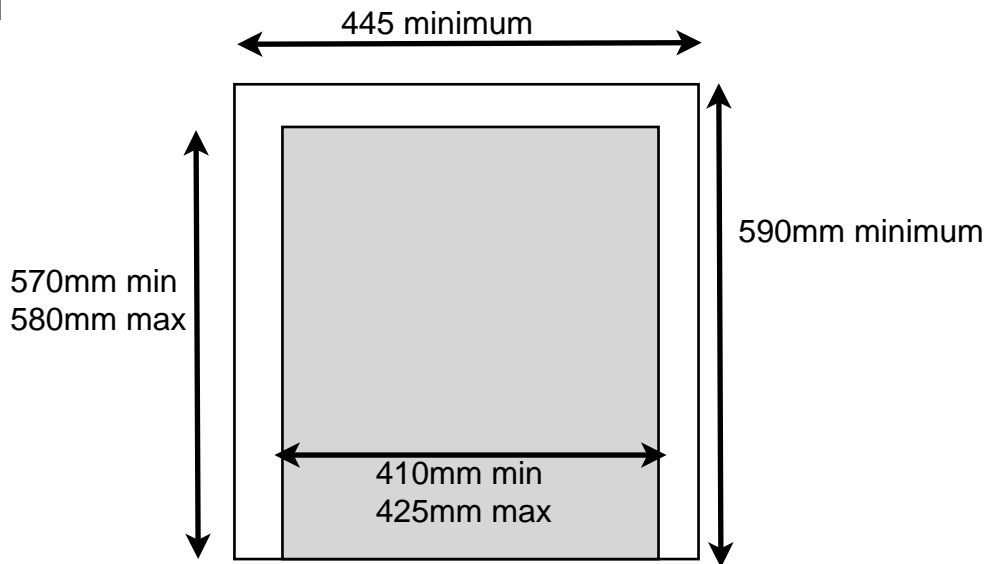
Check the chimney pot / terminal and general condition of the brickwork and masonry.if the chimney / flue is in poor condition or if there is no up-draught do not proceed with the installation,if there is a history of down draught conditions with the chimney / flue, A tested and certificated flue terminal or cowl suitable for the relevant flue type should be considered

6.a spillage test must always be carried out during commissioning of this appliance

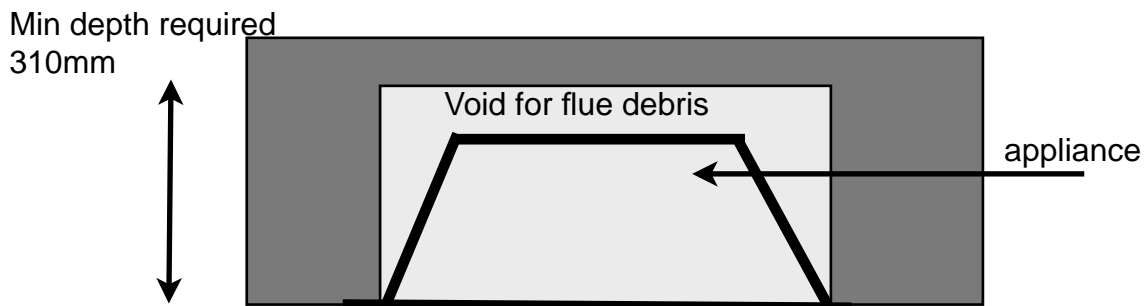
1.6 Fireplace opening and chimney catchment space

The front opening of the fireplace must be between 400mm and 425mm wide and between 560mm and 570mm high. If the opening exceeds these dimensions then a surround must be constructed from suitable non-combustible material to produce correct size opening. Any surround must be suitably sealed to the fireplace to prevent leakage. See below fig 1

Fig 1

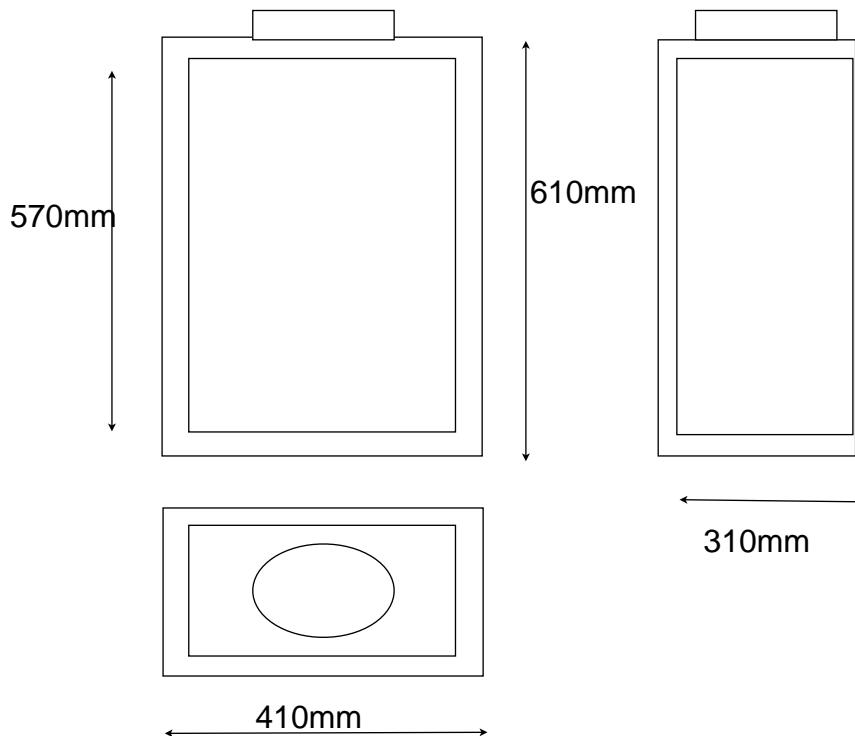


When installing into a brick built chimney, you must ensure that there is sufficient depth to accommodate any debris which may fall from the chimney, this depth must be sufficient to accommodate 12 litres of volumetric space, minimum of 310mm



1.7 fitting to metal flue boxes

A DOUBLE WALLED SELKIRK RECESSED FLUE BOX BUILT TO THE REQUIREMENTS OF BS 715 OR BS EN 1856 WITH AN INSULATED FLUE HAVING A MINIMUM DIAMETER OF 125mm (5") AND A MINIMUM EFFECTIVE OVERALL HEIGHT OF 3 METERS (10ft)



RECESSED GAS FLUE BOX DIMENSIONS (NOT INCLUDING FIBRE GLASS INSULATION)

NOTE

THE METAL FLUE BOX MUST BE INSULATED WITH FIBRE GLASS OR EQUIVALENT TO A THICKNESS OF 50 mm.

NOTE

WHERE INSTALLATION IS FOR A METAL FLUE BOX, THE SURROUND MUST HAVE A TEMPERATURE RATING OF 150 DEGREES C .

NOTE

IF THE FLUE BOX IS TO BE USED WITH AN EXISTING BRICK OR STONE CHIMNEY A 125 mm (5") MINIMUM DIAMETER FLUE LINER CONFORMING TO BS 715 MAY BE USED.

NOTE

A BRICK CHAMBER TO THE SIZES IN FIG 2 IN AN EXISTING BRICK OR STONE CHIMNEY A 125mm MINIMUM DIAMETER FLUE LINER CONFORMING TO BS EN 1856 MAY BE USED, PROVIDING IT IS SEALED AT THE TOP AND BOTTOM OF THE EXISTING BRICK OR STONE CHIMNEY.

1.8 Hearths

This appliance must only be installed on to a non combustible hearth, the hearth material must be a minimum thickness of 12mm with the top surface at least 50mm above the floor, the hearth must be fitted symmetrically about the fire opening and have a minimum width of 760mm and a minimum

projection 300mm forwards from the opening

1.9 Spillage monitoring system

This appliance is fitted with an atmosphere sensing device ,this is designed to shut off the appliance in the event of partial or complete blockage of the flue causing a build up of combustion products in the room in which the fire is operated

The following are important warnings related to this spillage monitoring system

- 1.the spillage device must not be adjusted by the installer
- 2.the spillage device must not be put out of operation
- 3.when this device is changed (recommended yearly at service)only a complete original manufacturers part may be used ,it is not possible to replace individual parts on this device only a complete assembly can be used

2.0 remove glass and fire tray



Remove 8 glass cover fixing screws 4 on each side ,left hand side shown above
Lift glass panel out carefully ensuring not to damage it and carefully position in a safe place,
The burner tray can now be removed by removing the two retaining screws at the bottom.

Section 2 installation of the fire

2.1 installing the firebox

Check that the chimney / flue conforms to the required specifications as previously stated.
If this is so continue with the installation

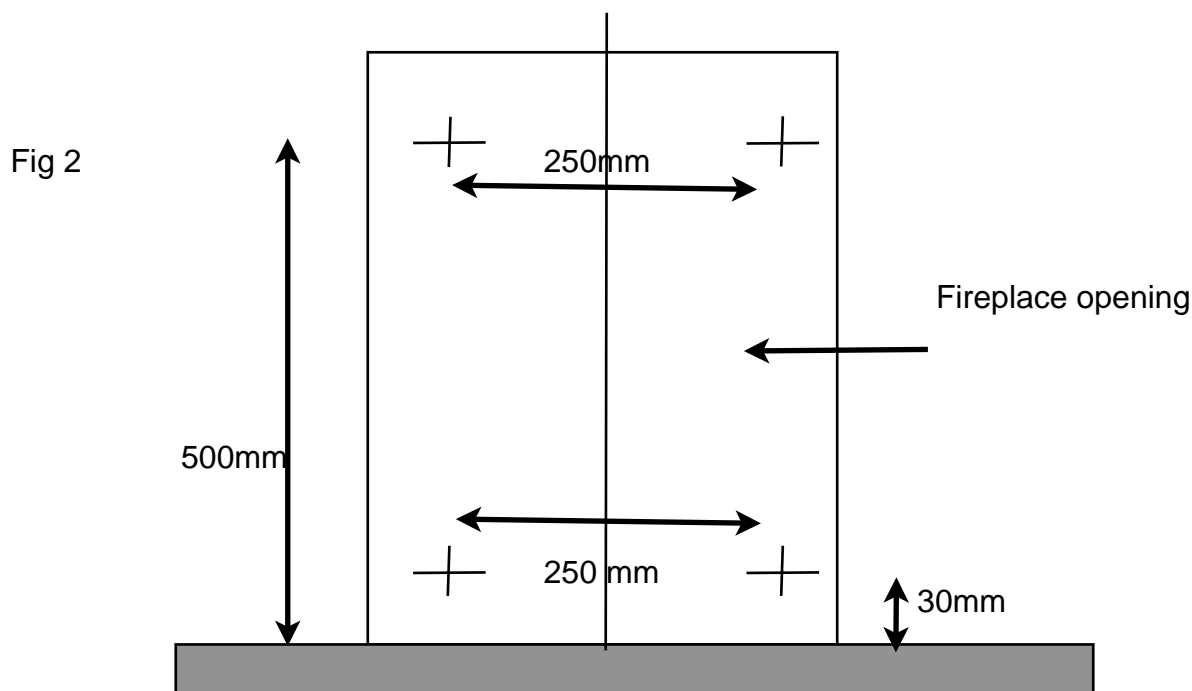
2.2 Gas supply

It is recommended a concealed connection is made using semi rigid tubing on the rear left side of the appliance taking into account the requirements of B.S 6891 1988 dealing with enclosed pipes
An isolating valve is built in to the appliance as part of the pressure test point elbow

2.3 secure to fireplace

The preferred method of fixing is cable fixing which is described in the following section
Proceed as follows :

Mark out and drill 4 off holes in the back face of the fire opening in the positions shown below fig 2



Fit the wall plugs provided and screw the fixing eyes securely into the rear of the fire opening
Uncoil the two fire fixing cables and thread one of each of the cables through the small holes either side of the top of the fire

Position the fire carefully on the hearth ensuring the hearth is protected not to scratch any decorative surfaces ,thread each of the cables vertically downwards through the pair of fixing eyes on the same side of the fire ,then thread the free end of the cable through the hole at the bottom rear of the appliance (the fire tray will have to be removed to do this if not already) then carefully slide the fire into the fire opening and pull the cables tight
Thread a tensioning screw over each of the cables and ensure that the tensioning nut is screwed fully up against the hexagon shoulder of the tensioning screw
(this allows for maximum adjustment)

Fit a screwed nipple on to each of the cables and pull hand tight up against the tensioning screw then secure each nipple with a screwdriver

Evenly tighten the tensioning nuts to tension both cables and pull the fire snugly to the wall Do not over tighten ,it is only necessary to pull the seal against the wall and make an air tight seal ,check there are no gaps behind the seal

With the fire securely in place the gas pipe can now be purged ensuring no debris are in the pipework,otherwise serious damage can be done to the gas control valve on the fire.

2.4 gas tightness and inlet pressure

Refit gas fire tray into fire box and screw it secure using two screws at bottom .

Connect the gas supply to the inlet elbow and carry out a gas soundness test

After ensuring gas soundness test remove the pressure test point from the inlet elbow and connect a manometer

Turn on the appliance and turn to the full position

Check that the gas pressure is 20.0 mbar +/- 1 mbar (8" water gauge +/- 0.4 in w.g.)

Turn off the appliance remove the manometer and refit the pressure test point screw.

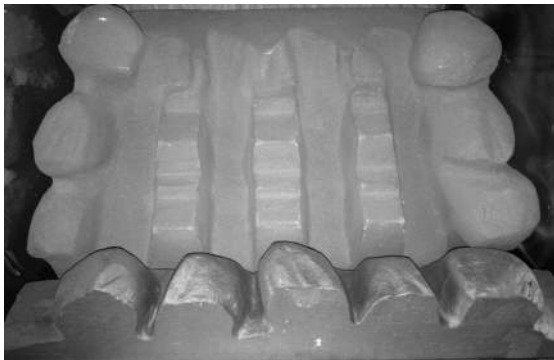
Check the test point screw for gas tightness using a suitable leak detection fluid .

Section 3 Fitting fuel bed and commissioning

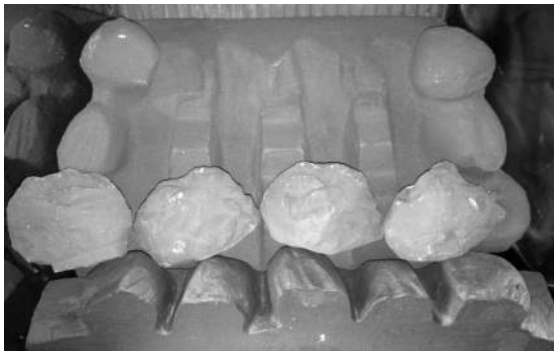
3.1 assembling the fuel bed

PERIODICALLY SMALL DEPOSITS OF SOOT MAY GATHER ON THE FUEL BED AND BURNER, THIS MUST BE REMOVED BY REMOVING FUEL AND BRUSHING ANY DEPOSITS WITH A SOFT BRUSH AND VACUUMING THE BURNER, THEN REPLACE FUEL USING THE FOLLOWING PROCEDURE.

THE MAIN FIBRE BASE IS LIABLE TO HAVE SURFACE CRACKS DUE TO THE HIGH TEMPERATURES OF THE FIBRE AND THE PAINT BEING DIFFERENT THIS IS QUITE NORMAL AND SHOULDN'T CAUSE CONCERN



The rear matrix sits flat behind the two lugs
With the front fibre sitting in the well of the burner



Front 4 coals sit as shown
Left hand coal sits with fatter end to left
and as far left as possible

Right hand coal sits slightly left from the far right
Allowing 2 central coals to sit in middle



Next 3 sit central as shown



Next 2 fit central as shown



Final 3 sit central as shown

Full operating instructions can be found at the users instructions

Warning

**Only use the fuel pieces supplied with the fire and when replacing use only the same genuine replacement parts
Under no circumstances add additional pieces**

Replace glass by inserting the glass piece with the glass seal towards the fire and ensure a good snug fit.
Then replace the glass cover securing using all eight screws ,but do not over tighten.

Warning

Never use the appliance without the glass or if broken or cracked

3.2 Checking for spillage

Checking for clearance of combustion products

Close all doors and windows in room

Light the fire and allow to run for approximately 5 minutes on high position

After approximately 5 minutes hold a smoke match inside the diverter as shown below ,(it is recommended that a suitable smoke match holder is used when checking for clearance of combustion)most of the smoke must be drawn into the flue
If in doubt repeat the test after the fire has been burning for 10 minutes

If spillage persists ,the flue is not functioning correctly and a fault exists ,if after investigation the fault cannot be traced and rectified,the fire must be disconnected from the gas supply and expert advise obtained

If there is an extractor fan fitted any where in the vicinity of the appliance ,the spillage test should be repeated with the fan running on maximum and all interconnecting doors open

After ensuring that the fire is safe to use it should be left on high position to fully warm up during this time a slight odor may be noticed this is due to the newness of the fire and will soon disappear

Fit trim and using 4 magnets on vertical flanges on fire box and fit fret centrally in front of fire

Finally hand the installation and maintenance instructions to the user and explain the operation of the fire in detail



Insert smoke match into
Diverter as shown just
Above glass cover

Section 4 Maintenance

Servicing should be carried out annually by a competent person ,(gas safe engineer)
The service should include changing the oxypilot and visually checking the chimney and fire opening for debris,also carry out a smoke test to check for positive up draught in the chimney

Check condition of coals and ceramics and if necessary replace the full set with genuine replacement parts

After servicing a soundness test must be carried out and a working pressure test.

1 REMOVAL OF FUEL PIECES

REMOVE LOOSE FUEL PIECES

REMOVE FRONT FIBRE BASE

REMOVE MAIN FIBRE BASE

2 REPLACEMENT OF GAS CONTROL

REMOVE FUEL SET AS 1

DISCONNECT FIRE AT INLET ELBOW

REMOVE FIRE TRAY BY UNSCREWING TWO SCREWS AT FRONT BOTTOM SECTION OF FIRE TRAY

REMOVE CONTROL KNOB,DISCONNECT GAS CONNECTIONS TO VALVE INCLUDING PILOT CONNECTION AND THERMOCOUPLE CONNECTION

REMOVE LOCKNUT HOLDING GAS CONTROL TO FRONT BOTTOM SECTION .

RE ASSEMBLE IN REVERSE ORDER

TURN ON GAS SUPPLY.CHECK FOR SOUNDNESS AND RE COMMISSION APPLIANCE

3 REPLACEMENT OF INJECTOR

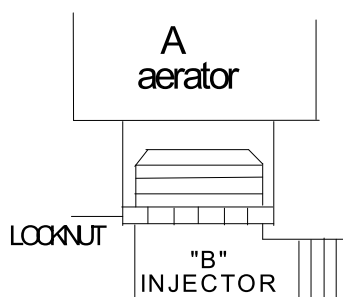
REMOVE FUEL PIECES SEE 1

REPEAT 2 REMOVE GAS CONTROL

DISCONNECT GAS CONNECTION TO INJECTOR

UNSCREW INJECTOR "B" WHILST AT THE SAME TIME HOLDING LOCKNUT WITH A SPANNER AND CLEAN OR REPLACE.

SEE DIAGRAM BELOW.



RE ASSEMBLE IN REVERSE ORDER

TURN ON GAS SUPPLY. CHECK FOR SOUNDNESS AND RECOMMISSION THE FIRE.

REPLACEMENT OXY PILOT ASSEMBLY

DISCONNECT FIRE AT INLET ELBOW

REMOVE FIRE TRAY

DISCONNECT THERMOCOUPLE AT GAS VALVE

DISCONNECT GAS CONNECTION FROM PILOT ASSEMBLY

REMOVE IGNITOR LEAD FROM PILOT ASSEMBLY
 UNDO SCREWS SECURING OXY PILOT TO FIRE TRAY
 RE-ASSEMBLE IN REVERSE ORDER
 TURN ON GAS SUPPLY,CHECK FOR SOUNDNESS AND RECOMMISION APPLIANCE

4.2 Cleaning

Before cleaning any part of the appliance ensure the gas is turned off and the fire is not hot

Remove trims from appliance before cleaning by pulling it free from magnets

Brass/chrome trim can be cleaned with brasso or other brass cleaner

Colored finishes need wiping with a damp cloth

Coals and ceramics : if for any reason it is necessary to remove coals or ceramics then before replacement the burner should be checked that no particles have deposited on to the burner and if necessary remove and refer to instructions to replace

Ceramics should be cleaned by shaking any debris from them under no circumstances brush them or vacuum as this can be detrimental to them

4.3 installer spare parts

Fuel bed	cf2 01	oxypilot manual cf208
Front fibre	cf2 02	oxypilot mertik cf209
Trim	cf2 03(state color)	oxypilot bray cf210
Gas valve	cf204 (manual)	
Gas valve mertik	cf205(mertik)	
Gas valve bray	cf206(bray)	
Main matrix	cf207	

Other parts are available on request

4.4



trouble problems



shooting pilot

Troubleshooting pilot light

Left above a correct blue flame
 With a strong flame not small

right above a incorrect yellow flame
 aeration hole needs cleaning

It is important the pilot flame stays strong and blue as on the left as it creates good cross lighting and no build up of gas then ignition which can be dangerous

Section 5 Users instructions

5.1 installation information

1.1 conditions of installation

It is the law that all gas appliances are installed only by a competent person
ie: a registered installer in accordance with the current edition of the gas safety (installation and use) regulations or the rules in force. failure to do so could lead to prosecution
The installer must be gas safe registered .

The fire may be fitted below a combustible shelf provided that the shelf is at least 200mm above the top of the appliance and the depth of the shelf does not exceed 150mm

The fire may be installed below combustible shelves which exceed 150mm deep providing that the clearance above the fire is increased by 15mm for each 25mm of additional overhang in excess of 150mm

No purpose made additional ventilation is normally required for this appliance ,when installed in G.B.when installing in I.E.please consult document I.s 813 domestic gas installation, which is issued by the national standards authority of ireland.if installing in northern ireland please consult local building regulations
In scotland ,please consult the current edition of the building standards regulations,issued by the scottish executive.any purpose made ventilation must be checked periodically to ensure that it is free from obstruction.

If this appliance is fitted directly against a wall without the use of a fire surround or fireplace all combustible materials must be removed from behind the trim .soft wall coverings such as blown vinyl ,wall paper etc, could be affected by the rising hot air scorching and /or discoloration may result ,due consideration should be made to this when installing or decorating.

If the chimney or flue has been used previously by appliances burning fuels other than gas they must be thoroughly swept prior to installation of this fire

The fire must be registered by your installer to gas safe

Please take time to read these instructions as you will be able to obtain the most effective and safe operation of this appliance

Important safety information

Warning

This appliance has a naked flame and as with all heating appliances a fireguard should be used for the protection of children, the elderly and infirm. fireguards should conform to B.S. 8423 :2002 (fireguards for use with gas heating appliances)

It is important that this appliance is serviced at least once a year by a gas safe registered installer and that during the service the fire is removed from the fire opening and visually

checked for debris or blockages, the chimney should be checked for the clearance of flue products and the oxypilot replaced

After installation or during a service a spillage test must always be carried out

Rubbish of any type must never be thrown on to the fuel bed, this could affect safe operation and damage the fire

Any deposits and debris should be removed from the fuel bed periodically this may be carried out by referring to section 4.2 cleaning.

Only the correct number of coals may be used and genuine replacement parts used

Always keep furniture and combustible materials well clear of the fire and never dry clothing or items either on or near to the fire, never use aerosols or flammable cleaning products near to the fire when it is in use

The ceramics and coals and glass remains hot for a considerable time after the appliance has been switched off so sufficient time should always be allowed for the fire to cool before cleaning etc

Warning if the fire goes out or is turned off and it is necessary to relight the fire it is important to allow 3 minutes before attempting to relight it

OPERATING INSTRUCTIONS. MANUAL OPERATION

THE APPLIANCE DATA BADGE IS POSITIONED ON THE FRONT BOTTOM SECTION OF THE APPLIANCE AND CARRIES THE CONTROL KNOB POSITIONS.THE FULL LIGHTING PROCEDURE IS AS FOLLOWS.

- 1.PUSH CONTROL KNOB IN AS FAR AS POSSIBLE ON GAS CONTROL
- 2.TURN KNOB ANTI-CLOCKWISE TO IGNITION POSITION STILL KEEPING KNOB IN AS FAR AS POSSIBLE.
- 3.THE IGNITION BUTTON WILL IGNITE THE PILOT WITH THIS OPERATION KEEP THE KNOB PRESSED IN FOR 15 SECONDS.IF THE PILOT FAILS TO LIGHT TURN THE CONTROL KNOB CLOCKWISE TO THE OFF POSITION, WAIT 3 MINUTES AND REPEAT THE PROCEDURE
- 4.WHEN THE PILOT FLAME IS ALIGHT THE CONTROL KNOB SHOULD BE ALLOWED TO SPRING OUT SLIGHTLY.TURN THE KNOB FULLY ANTI-CLOCKWISE TO THE HIGH POSITION.THE PILOT FLAME WILL THEN IGNITE THE MAIN BURNER.THE PILOT FLAME CAN BE VIEWED TO THE RIGHT OF THE FIRE JUST BEHIND THE FRONT LOG SET
- 5.THE APPLIANCE CAN BE ADJUSTED BETWEEN HIGH AND LOW BY MOVING THE CONTROL KNOB TO SUIT,THE KNOB WILL NEED TO BE DEPRESSED SLIGHTLY TO MOVE FROM LOW HIGH AND IGNITION.
- 6.TO TURN THE FIRE OFF,DEPRESS THE KNOB SLIGHTLY AND TURN IT TO PILOT POSITION.
- 7.TO COMPLETELY EXTINGUISH THE FIRE DEPRESS THE KNOB SLIGHTLY AND TURN TO OFF POSITION.
- 8.SHOULD THE SPARK IGNITION FAIL TO OPERATE.TURN THE CONTROL KNOB TO THE OFF POSITION AND WAIT 3 MINUTES.TURN THE KNOB TO THE IGNITION POSITION AND THEN LIGHT THE PILOT WITH A TAPER."LIGHTING THE PILOT WITH A TAPER IS AN EMERGENCY MEASURE ONLY AND THE APPLIANCE SHOULD BE SERVICED AS SOON AS POSSIBLE".AND THEN PROCEED AS STATED IN PARAGRAPHS 2/7.

IMPORTANT .THIS APPLIANCE IS FITTED WITH AN OXYGEN DEPLETION SENSOR INCORPORATED INTO THE PILOT BODY.SHOULD THE FIRE REPEATEDLY EXTINGUISH ITSELF THEN SPECIALIST ADVISE SHOULD BE SOUGHT,AS THIS MAY INDICATE SPILLAGE INTO THE ROOM OF COMBUSTION PRODUCTS.

MERTIK MAXITROL REMOTE CONTROL SYSTEM

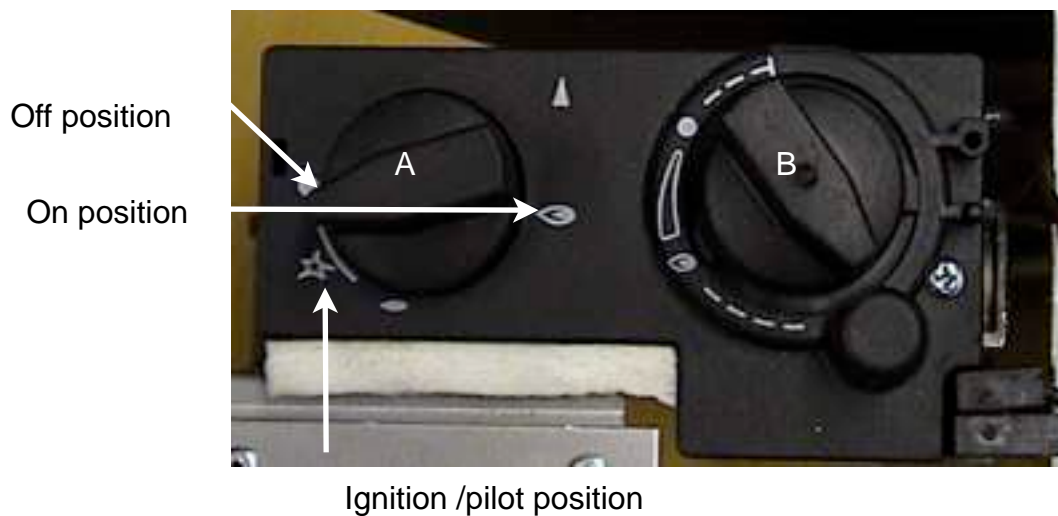


Fig 1

THESE INSTRUCTIONS ARE FOR THE USE ON CRYSTAL FIRES REMOTE CONTROL RANGE OF GAS FIRES

OPERATION

LIGHTING PROCEDURE

1. TURN KNOB A (FIGURE 1) SLIGHTLY LEFT TOWARDS THE IGNITION POSITION (SHOWN IN FIG 1 ABOVE) UNTIL REACHING STOP,PRESS DOWN AND HOLD FOR FIVE SECONDS
(ONLY PILOT GAS FLOWS)
2. CONTINUE PRESSING DOWN KNOB A WHILE TURNING FURTHER LEFT TO ACTIVATE PIEZO,CONTINUE TO HOLD DOWN FOR 10 SECONDS AFTER PILOT HAS BEEN LIT,IF PILOT DOES NOT LIGHT,STEPS 1 AND 2 CAN BE REPEATED IMMEDIATELY.
3. UPON LIGHTING,RELEASE KNOB A AND TURN FURTHER LEFT TO ON POSITION (SHOWN IN FIGURE 1 ABOVE)PILOT GAS FLOWS AND MAIN BURNER FLOWS IN ACCORDANCE TO THE TEMPERATURE SETTING(KNOB B AS SHOWN IN FIG 1 ABOVE)

ADJUSTING THE FLAME SETTINGS

TO TURN THE FIRE ON AND/OR TO ADJUST THE FLAME STTING, PRESS THE ON BUTTONS ON THE REMOTE HANDSET.CONTINUE PRESSING UNTIL DESIRED FLAME SETTING IS OBTAINED.PRESS AND HOLD THE OFF BUTTON TO REVERSE THE SETTING.THE RECEIVER IS EQUIPPED WITH ABUILT IN DELAY, RECOGNISABLE BY THE FLICKERING LIGHT,TO FACILITATE FINE ADJUSTMENT OF THE FLAME

THE MOTORISED VALVE IS EQUIPPED WITH A SLIP CLUTCH ,ALLOWING MANUAL ADJUSTMENT OF MAIN GAS BY TURNING KNOB B

ON
TO PRESS ON
YOU MUST PRESS TOP
BUTTON AND SMALL
BUTTON ON LEFT
SIMULTANEOUSLY



LOW AND OFF

BATTERY BOX



SHUT OFF PROCEDURE

1. TURN KNOB A RIGHT UNTIL REACHING STOP. IN THIS POSITION ONLY PILOT GAS FLOWS

2. TO SHUT OFF VALVE COMPLETELY, PRESS DOWN SLIGHTLY AND CONTINUE TURNING RIGHT FROM PILOT POSITION TO THE OFF POSITION. THE SAFETY INTERLOCK PREVENTS RE-IGNITION OF THE PILOT FLAME UNTIL THERMOCOUPLE HAS COOLED DOWN SUFFICIENTLY (ELAPSED TIME WILL VARY BASED ON THERMOCOUPLE TYPE)

3. SWITCHING OFF THE REMOTE IS NOT NECESSARY.

THE SENSOR AND BATTERY HOLDER ARE INSERTED BENEATH THE RIGHT SIDE OF THE FIRE. TO REPLACE BATTERIES ALLOW FIRE TO COOL FOR AT LEAST 30 MINUTES THEN PULL OUT BATTERY HOLDER, THE COVER CAN SLIDE OFF AS ABOVE AND THE BATTERIES CAN BE REPLACED. (USE ONLY LIKE FOR LIKE ALKALINE AA BATTERIES)

REPLACEMENT PARTS

BATTERY HOLDER AND SENSOR
REMOTE HANDSET

CF2MERTIKHOLDER
CF2MERTIKHANDSET



LIGHTING THE APPLIANCE - S.I.T. ACS2T REMOTE CONTROL

IMPORTANT : IF THE BURNER IS EXTINGUISHED FOR ANY REASON YOU MUST ENSURE THAT YOU WAIT A FULL FIVE MINUTES BEFORE ATTEMPTING TO RE-LIGHT THE FIRE.

The product is controlled by the remote handset supplied with the fire. Ensure the 3 off AAA batteries supplied in the loose items pack has been fitted to the handset and the 6 off AA batteries have been fitted to the battery holder located in the front of the fire before attempting to light it.

Firstly turn the handset on and light the fire by pressing and holding the “ON” / “OFF” button on the remote handset for a minimum of 2 seconds, then releasing the button. The screen will illuminate and the “MAN” mode will be illuminated

The 20 second ignition procedure is then initiated, the pilot and main burner will light.

The remote handset is now used to control all functions of the fire.

To turn the fire down or up incrementally, press the “DOWN” / “UP” arrows as shown above and the gas input will reduce accordingly. The flame level indicator will increase and decrease with the input. When maximum input is reached, a “MAX” icon will appear below the flame indicator in the top left hand corner. To put the fire into “STANDBY” mode (where only the pilot remains lit) press the “ON” / “OFF” button, the “PILOT” indicator will be shown and the main burner will extinguish.

To turn the fire off, press and hold the “ON” / “OFF” button, this will extinguish all flames including the pilot. It is recommended that the handset is placed into locked mode when not in use. To lock the handset, press and hold the “MODE” button for a minimum of 5 seconds. To unlock the handset, press and hold the “MODE” button for a minimum of 5 seconds.

Spare parts

Acs2t handset

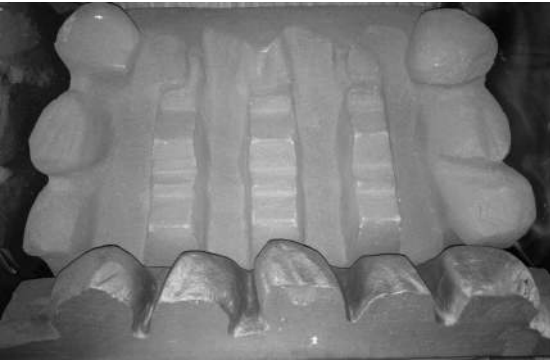
cf2 bray/sit001

5.5

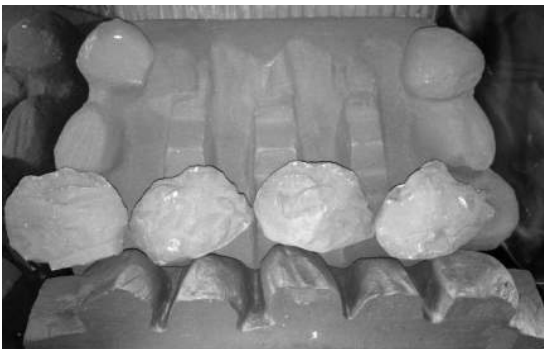
assembling the fuel bed

PERIODICALLY SMALL DEPOSITS OF SOOT MAY GATHER ON THE FUEL BED AND BURNER, THIS MUST BE REMOVED BY REMOVING FUEL AND BRUSHING ANY DEPOSITS WITH A SOFT BRUSH AND VACUUMING THE BURNER, THEN REPLACE FUEL USING THE FOLLOWING PROCEDURE.

THE MAIN FIBRE BASE IS LIABLE TO HAVE SURFACE CRACKS DUE TO THE HIGH TEMPERATURES OF THE FIBRE AND THE PAINT BEING DIFFERENT THIS IS QUITE NORMAL AND SHOULDN'T CAUSE CONCERN



The rear matrix sits flat behind the two lugs
With the front fibre sitting in the well of the burner



Front 4 coals sit as shown
Left hand coal sits with fatter end to left
and as far left as possible

Right hand coal sits slightly left from the far right
Allowing 2 central coals to sit in middle



Next 3 sit central as shown



Next 2 fit central as shown



Next 3 fit central as shown

Warning

**Only use the fuel pieces supplied with the fire and when replacing use only the same genuine replacement parts
Under no circumstances add additional pieces**

Replace glass by inserting the glass piece with the glass seal towards the fire and ensure a good snug fit.

Then replace the glass cover securing using all eight screws ,but do not over tighten.

Warning

Never use the appliance without the glass or if broken or cracked

5.6 cleaning the glass

To clean the glass panel, please remove it from the product, and use a clean damp cloth and ceramic glass cleaner to remove any stains or deposits from the glass

Do not use scouring pads as this may scratch the surface finish of the glass panel

Please note:

The glass will need cleaning periodically ,condensation produced by the products of combustion will create marks on the inside face of the glass panel

Spare parts

Fuel bed	cf2 01	Front fibre	cf2 02
Trim	cf2 03(state color)	Main matrix	cf207

5.7

Troubleshooting help

With today's homes having wooden floors dust can cause problems with gas fires please use your vacuum regularly to keep your pilot light clean from dust, it is fitted with a gauze filter but if you can keep it clean it will assist with the long life of your fire



Troubleshooting pilot light

Left above a correct blue flame
With a strong flame not small

right above a incorrect yellow flame
aeration hole needs cleaning

It is important the pilot flame stays strong and blue as on the left as it creates good cross lighting and no build up of gas then ignition which can be dangerous